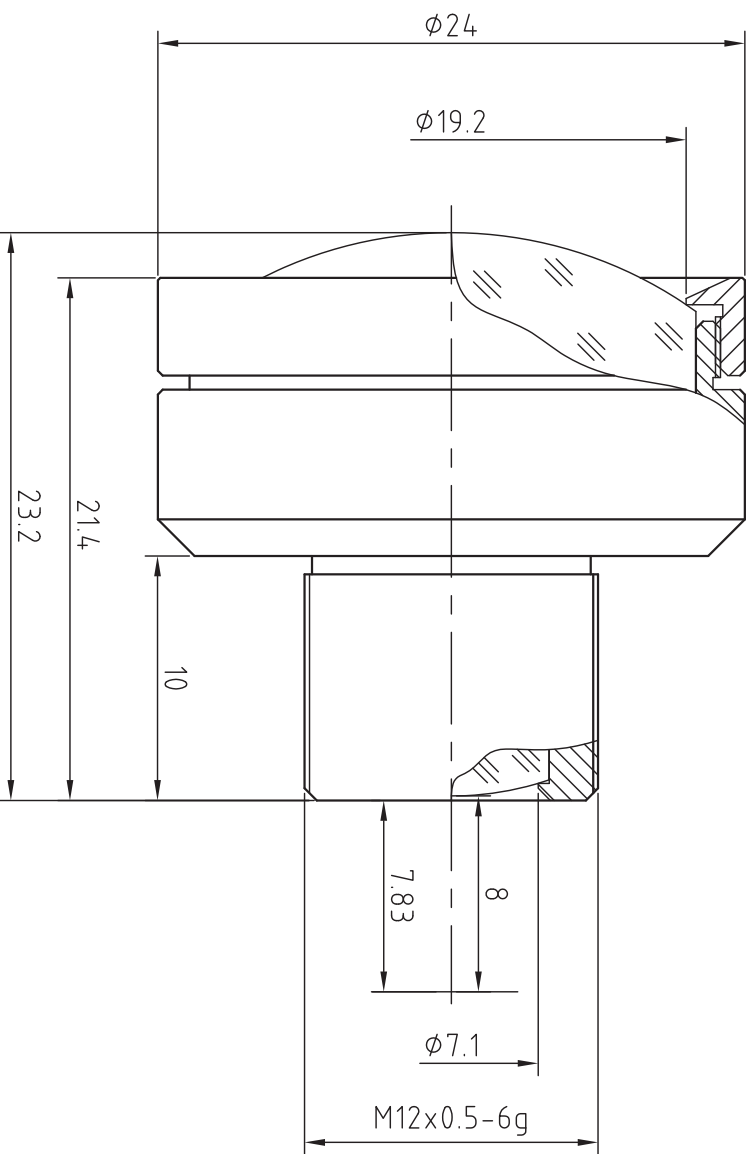


SPECIFICATION

- 1 Sensing Area: 1/1.8"
- 2 Focal Length: 4.0mm
- 3 Back Focal Length: 8.0mm
- 4 F/NO: 1.8
- 5 Iris: Fixed
- 6 Optical Distortion:
- 7 Lens Construction:
- 6 Components 5Group
- 8 Field Angle (DxHxV): 126° x 101° x 76°
- 9 Focus Extent: 20 cm - ∞
- 10 Weight : 6g
- 11 Feature/ Suitable up to 5Megapixel



TOLERANCE		UNIT	MATERIAL	SCALE	SHEET	1 OF 1	QUANTITY	TYPE
DIMENSION	TOLERANCE	mm		5:1	A4	NAME	DATE	PART NO.
X.XX	ø 0.05				DRAWING			DATA BASE
X.X	ø 0.10				CHECKED			REV./N°
X.	ø 0.30				BY			A
DO NOT SCALE DRAWING					TITLE		CONFIDENTIAL	
					BM4018S118			



CONFIDENTIAL