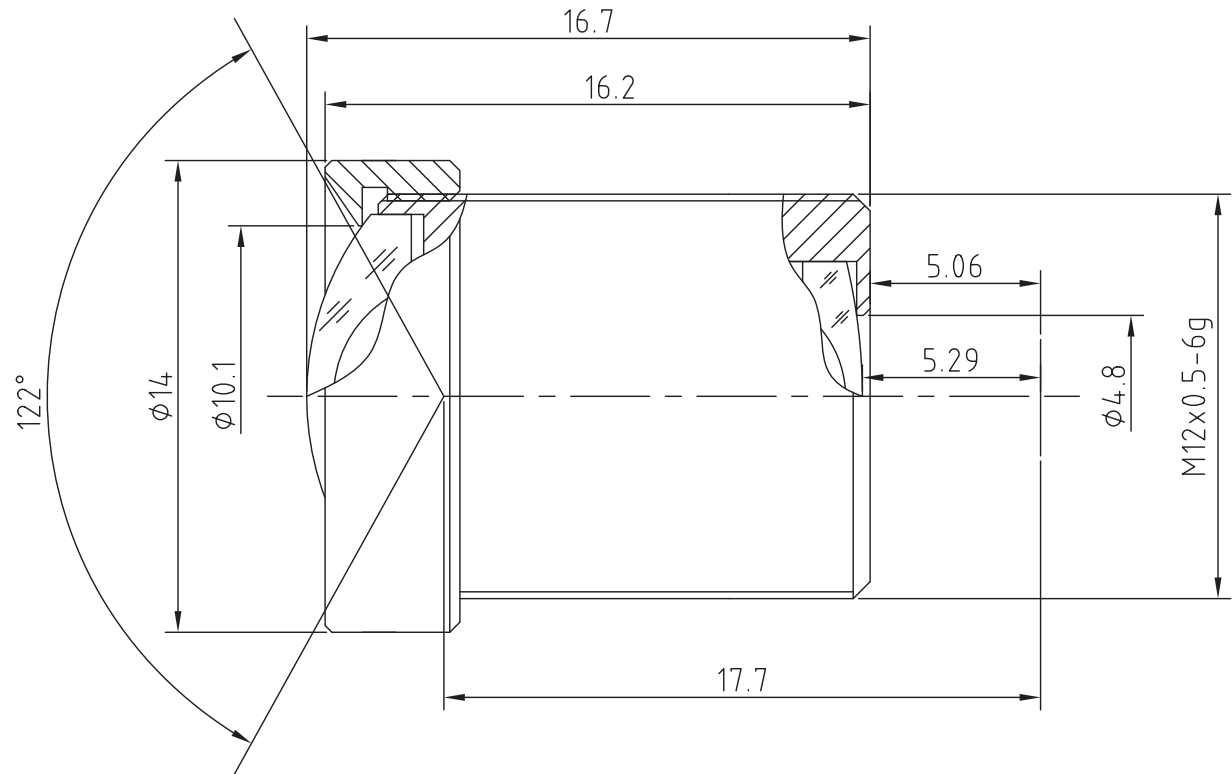



SPECIFICATION

- 1 Sensing Area: 1/3"
- 2 Focal Length: 2.8mm
- 3 Back Focal Length: 5.29mm
- 4 F/NO: 2.0
- 5 Iris: Fixed
- 6 Optical Distortion:
- 7 Lens Construction:
5 Glasses 4Group
- 8 Field Angle (Diagonal): 122°x98°x73°
- 9 Focus Extent: 20 cm - ∞
- 10 Weight : 6g
- 11 Feature/Function:Day&Night Lens, Megapixel



TOLERANCE		UNIT mm	MATERIAL	SCALE 5:1	SHEET 1 OF 1	QUANTITY	TYPE			
DIMENSION	TOLERANCE				BORDER A4	NAME	DATE	PART NO.	REV. NO. A	
X.XX	ø 0.05				DRAWING BY					
X.X	ø 0.10				CHECKED BY					
X.	ø 0.30				APPROVED BY					
DO NOT SCALE DRAWING		TITLE	Lensagon BM2820				CONFIDENTIAL			