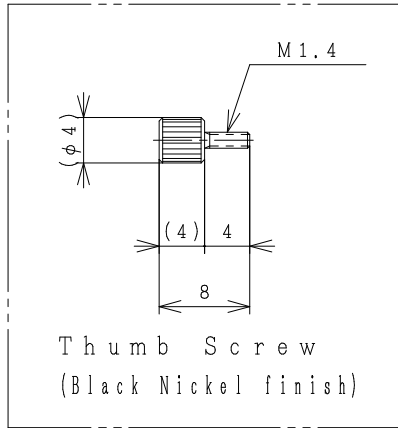


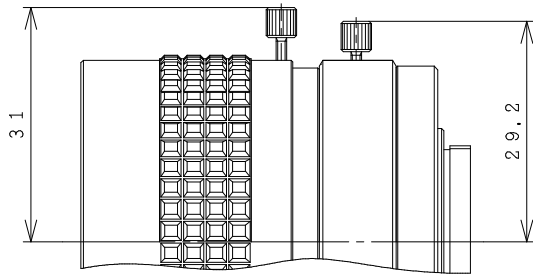
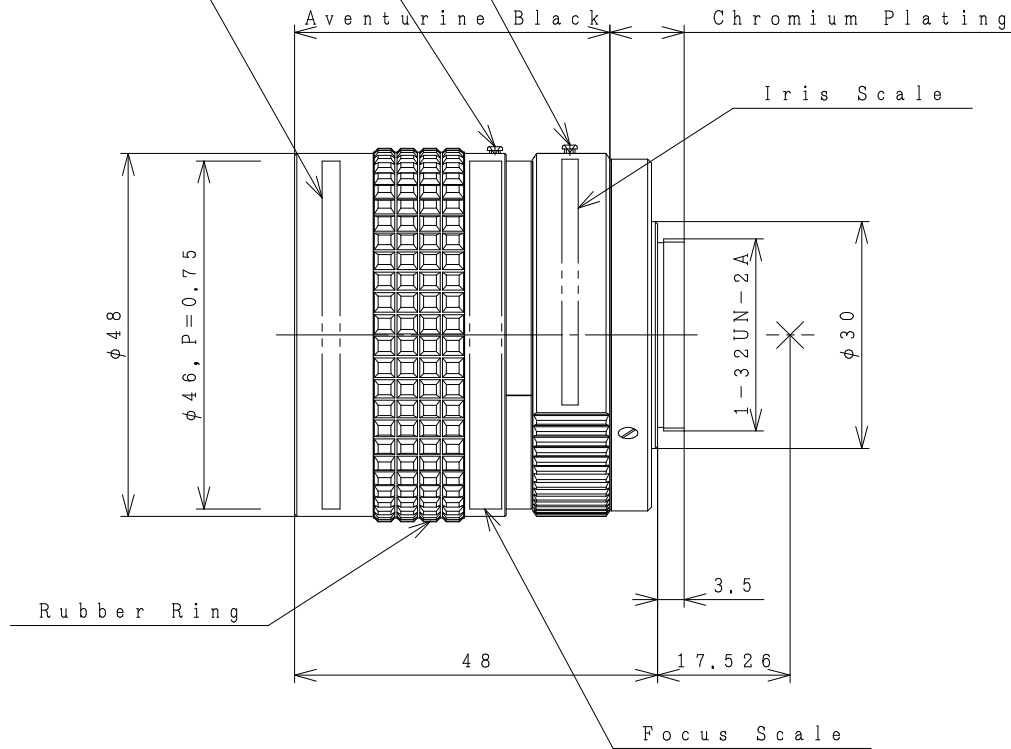
ASSEMBLED IN VIETNAM

PENTAX TV LENS 50mm 1:1.4



Ⓐ: Fixing Screw for Focus Ring
 Small Pao-Headed Screw M1.4 (3 Positions)

Ⓑ: Fixing Screw for Iris Ring
 Small Pao-Headed Screw M1.4 (3 Positions)



Focus Scale

1	3.5	1.3	5	2	10	20	50	∞	ft	m
			1.5		3	7	15			

Iris Scale

C	16	11	8	5.6	4	2.8	2	1.4
---	----	----	---	-----	---	-----	---	-----

SPEC. INFO	3125020-S001-C-B33
	JUL. 25, '07
PENTAX Corporation Security System Division	