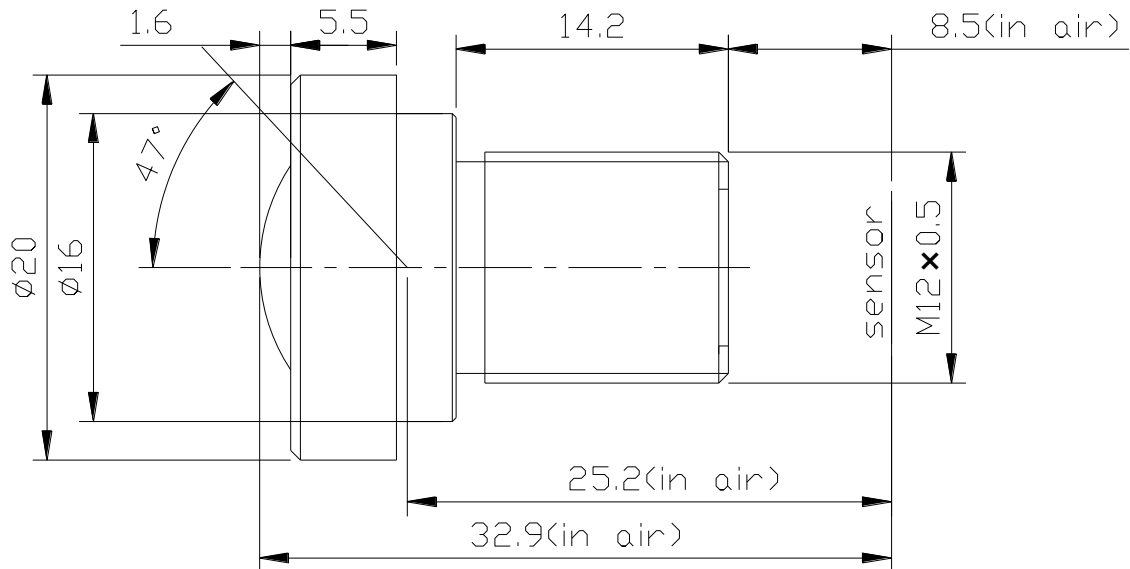


B10M5022S12



The S-Mount lens Lensagon B10M5022S12 is suitable for current sensors up to 10 megapixel and with an image format of 1/2 inch.

Technical Data

Image Format	1/2 inch Sensor
Mount Type	S-Mount
Megapixel	10 MP
Focal Length	5 mm
Back Focal Length	mm
Aperture	F 2.2
M.O.D.	0.3 m
IR Correction	IR corrected
Field Angle (D/H/V)	° / 72° / °

Lensation GmbH
Unterer Dammweg 12
76149 Karlsruhe
Germany

+49 (0) 721 75 40 45-0
+49 (0) 721 60 54 3393
info@lensation.de

www.lensation.de
www.optowiki.info



10 Megapixel